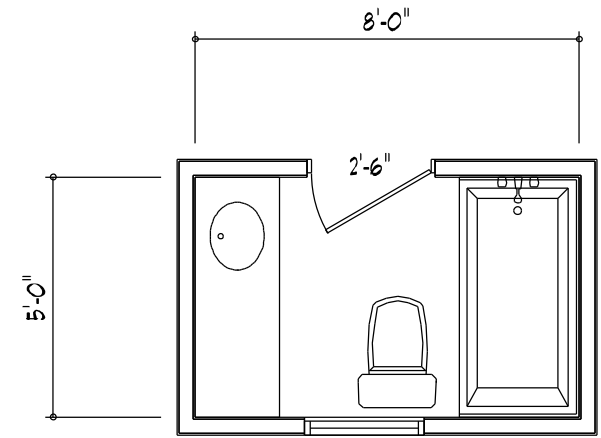
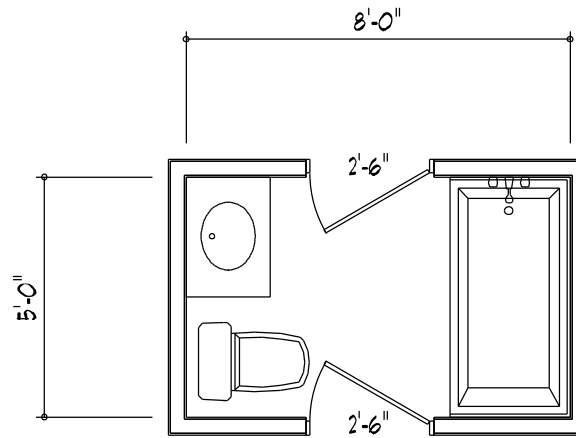
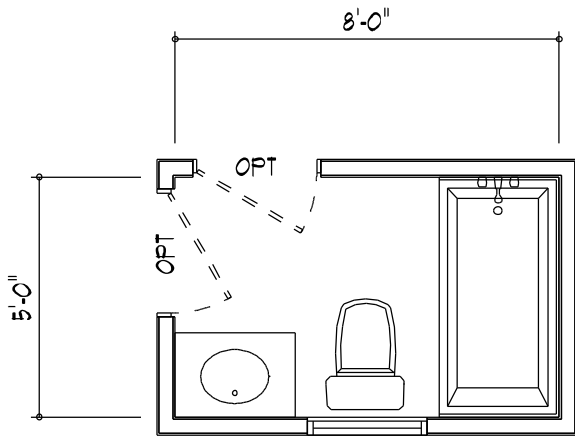


POWER ROOM / HALF-BATH

SCALE: 1/4" = 1'- 0"

RICHARD TAYLOR
ARCHITECTS

WWW.RTASTUDIO.COM

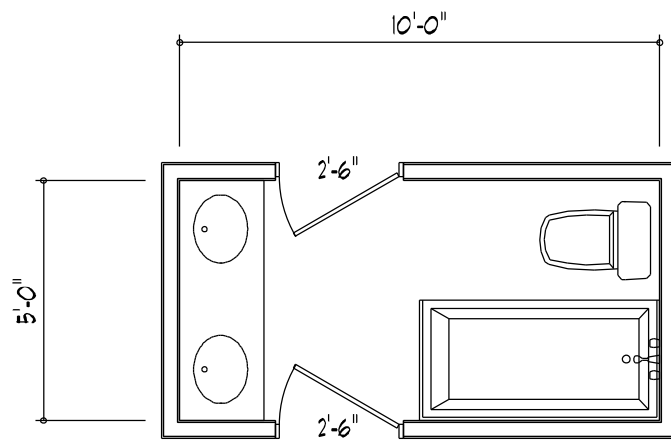
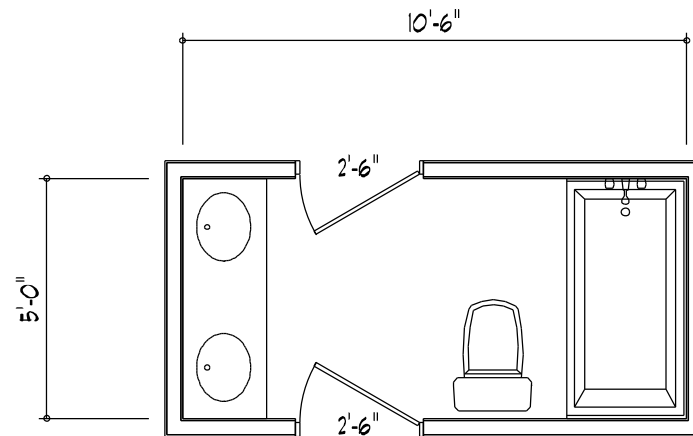
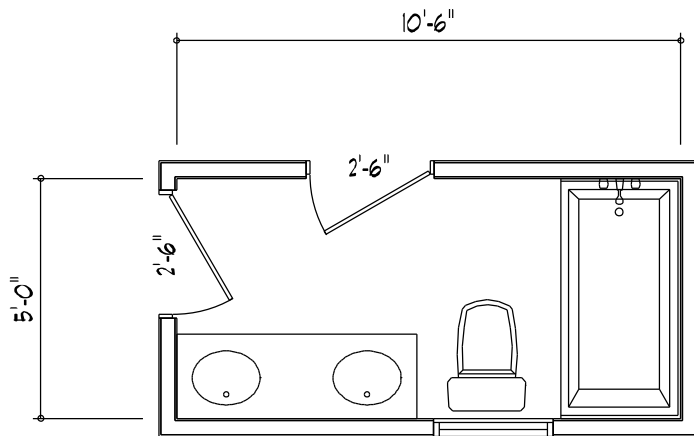


THREE-FIXTURE BATH

SCALE: 1/4" = 1'-0"

RICHARD TAYLOR
ARCHITECTS

WWW.RTASTUDIO.COM

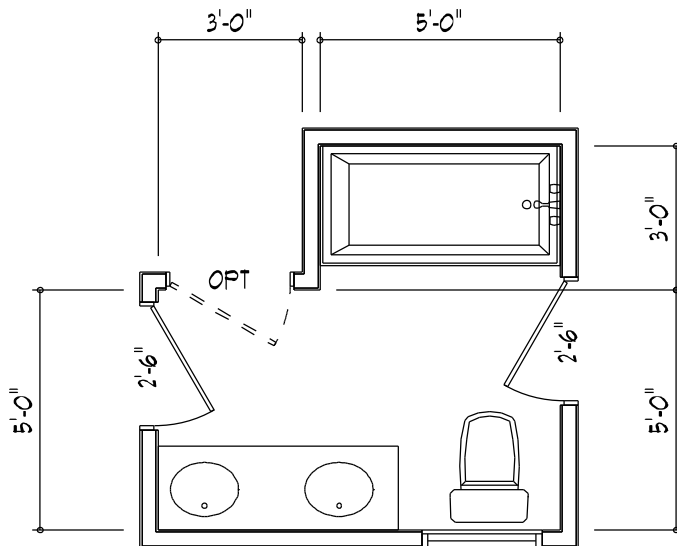
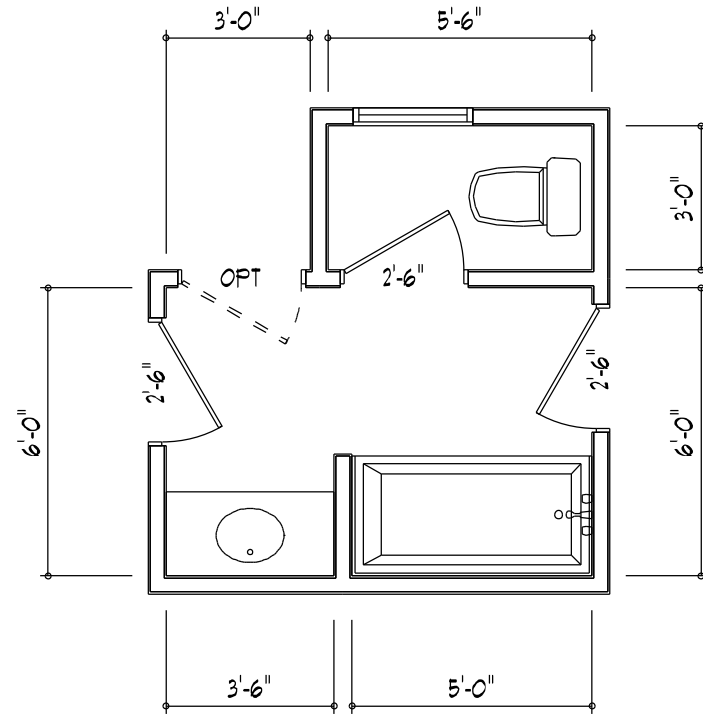
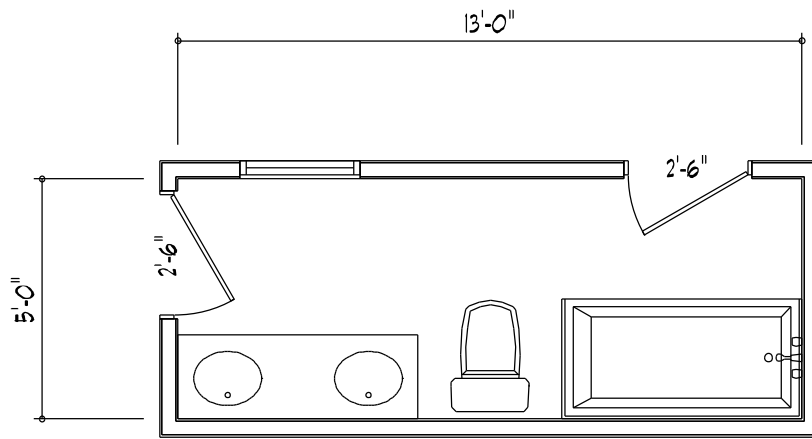


"JACK AND JILL" BATH

SCALE: 1/4" = 1'-0"

RICHARD TAYLOR
ARCHITECTS

WWW.RTASTUDIO.COM

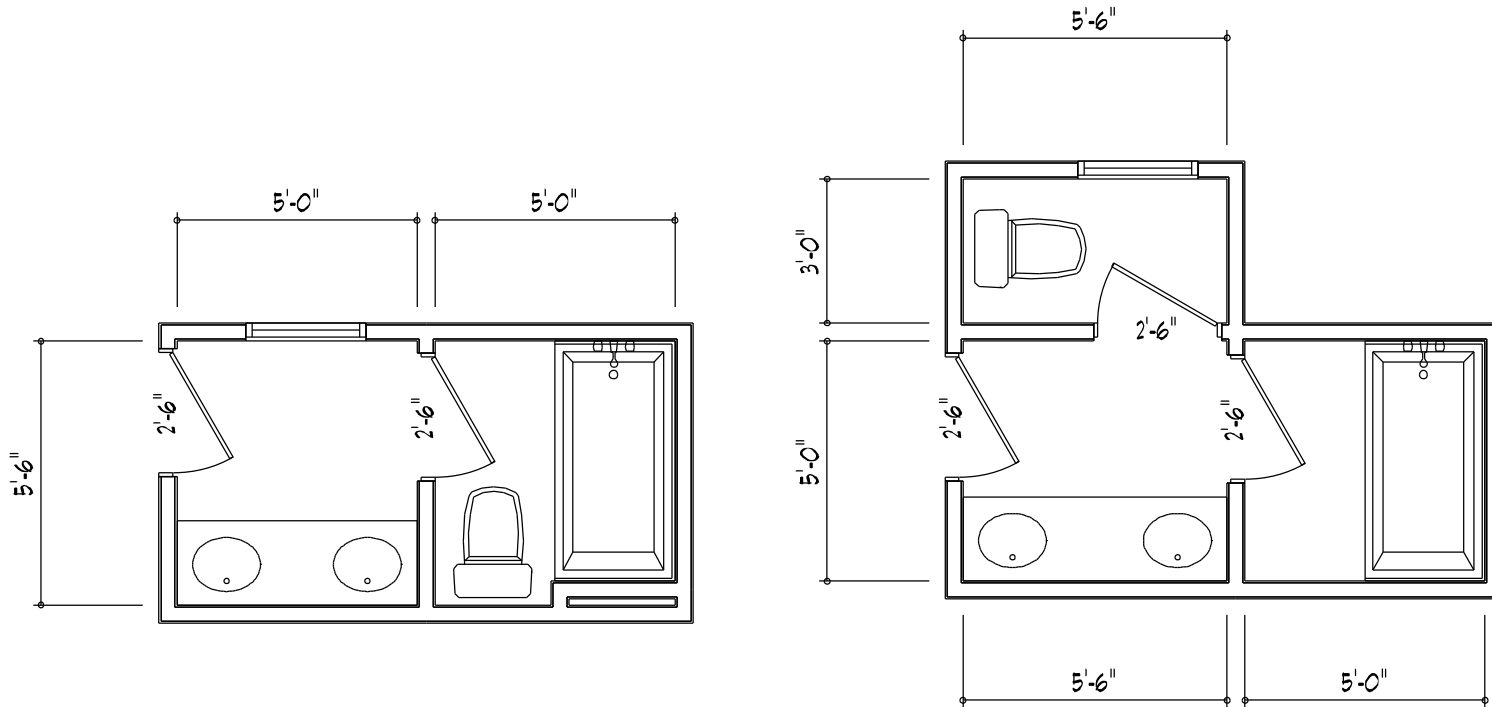


"JACK AND JILL" BATH

SCALE: 1/4" = 1'-0"

RICHARD TAYLOR
ARCHITECTS

WWW.RTASTUDIO.COM

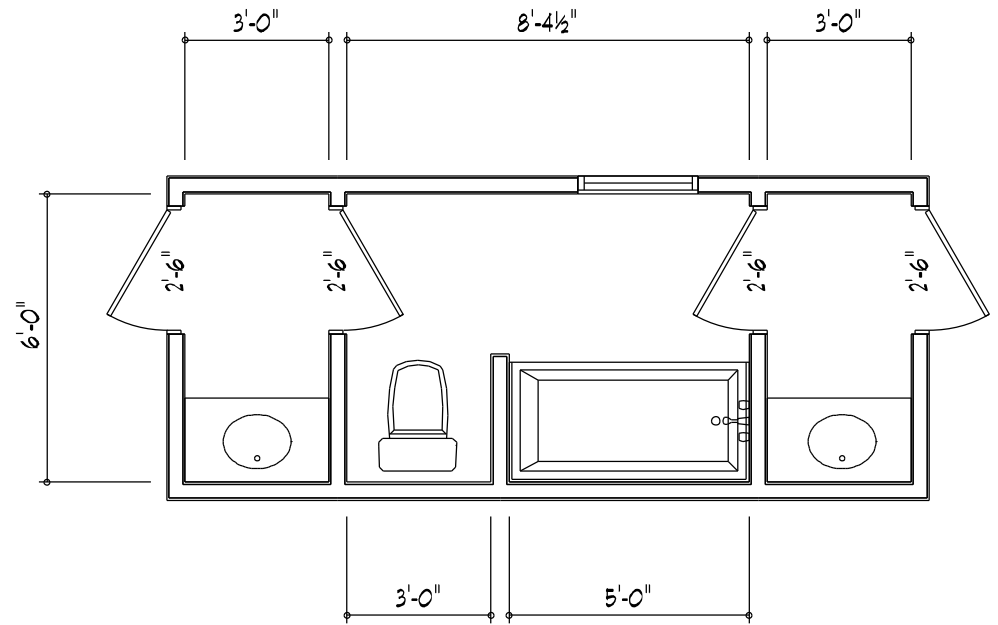
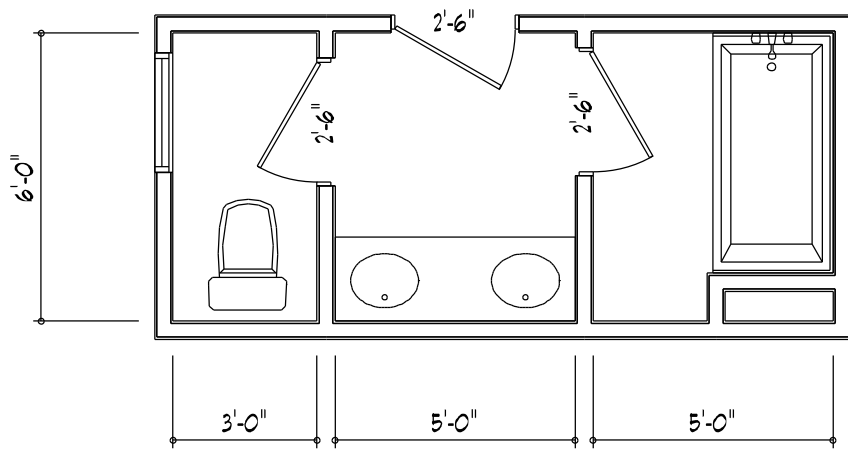


SHARED / COMPARTMENT BATH

SCALE: 1/4" = 1'-0"

RICHARD TAYLOR
ARCHITECTS

WWW.RTASTUDIO.COM



SHARED / COMPARTMENT BATH

SCALE: 1/4" = 1'- 0"

RICHARD TAYLOR
ARCHITECTS

WWW.RTASTUDIO.COM